

CZE SERIES ZONE CABLING ENCLOSURES



Wiremold® CZE Series Ceiling Zone Cabling Enclosures create an intermediate or remote consolidation point that may be tested and secured prior to adding drops for voice and data outlets.

CODE REFERENCE

cULus Listed Communication Circuit Accessories:

File E145222 Guide DUXR

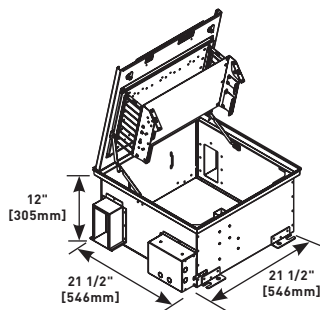
Meets Article 800 of NEC.

Meets Article 60-308 of CEC.

CZE Series Ceiling Zone Cabling Enclosures Ordering Information

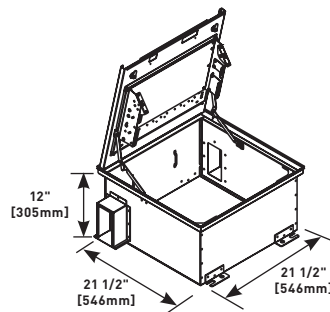
CZE-242412A

Ceiling Zone Cabling Enclosure for Active Equipment



12" deep telecommunications enclosure for 2' x 2' drop ceiling tile. One removable 7 RMU bracket for 19" patch panels and equipment. Includes junction box and fan.

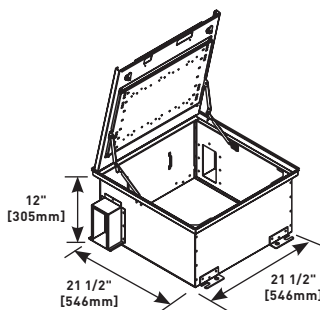
CZE-242412PP Ceiling Zone Cabling Enclosure for Mounting Patch Panels



12" deep patch panel enclosure for 2' x 2' drop ceiling tile. One bracket for 19" patch panels. Bracket supports 5 RMU.

CZE-242412WB

Ceiling Zone Cabling Enclosure with Wiring Blocks



12" deep termination block enclosure for 2' x 2' drop ceiling tile. One removable mounting plate for two 300 pair 1100 style termination blocks (without legs).